

Safety

- Do not cover the ground contact.
- Do not cover the item, hang or fasten anything from it.
- Do not operate if any visible damage can be seen to the product.
- Do not operate if any water ingress has occurred.
- Do not operate if any smoke, steam or crackling noises can be heard from the item.
- Do not operate if any signs of overheating are recognised.
- Avoid installation in any areas where there is a risk of strong mechanical loads.
- Do not place any material over the item.
- Do not insert objects into the item.
- Do not clean using any solvent based abrasive or aggressive product.
- Do not pull any cables connected to the product.
- Light engines/LEDs, other light sources and lighting products may heat up, please take care when handling the products.
- The manufacturer will not be deemed liable or held responsible for any damages caused by faults or manufacturing defects that may be present in any of its products or the misuse or incorrect installation of this device. Please refer to our troubleshooting guide for further information.
- The manufacturer will not be held liable for any death(s) or injuries caused by misuse or poor installation or any unreported faults of this product version or versions thereof.
- Do not connect to a temporary electricity supply, this may damage the electronics.
- Isolate the item from direct, strong sunlight.
- Keep away from children.

Returns & Faulty Items

- If any problem is encountered during or after installation, please call ALL LED technical department to get the problem resolved as soon as possible.
- Please do not just return the item to the outlet you purchased it from, as you are only entitled to a replacement or refund after the unit has undergone testing and the unit has been confirmed as having a manufacturing defect/fault. Your statutory rights are not affected.
- The manufacturer will not be deemed liable or held responsible for any damages caused by faults or manufacturing defects that may be present in any of its products or the misuse or incorrect installation of this device. Please refer to our troubleshooting guide for further information.
- All goods are supplied under the terms and conditions of ALL LED LTD, a copy of which may be obtained upon written request.



ALL LED LTD
42 Sedgwick Road,
Luton, LU4 9DT

www.allledgroup.com
sales@allledgroup.com
Tel: +44 (0)208 841 9000

The manufacturer will not be deemed liable or held responsible for any damages caused by faults or manufacturing defects that may be present in any of its products or the misuse or incorrect installation of this device. Your statutory rights are not affected.



PLEASE READ
BEFORE USE!

INSTALLATION GUIDE & USER MANUAL ADRCC30D/300-900MA



ENSURE POWER SUPPLY IS OFF WHEN HANDLING ANY ELECTRICAL EQUIPMENT.

- This product may need to be installed by a qualified electrical installer.
- Please read this guide in its entirety to fully understand the products before attempting any install.
- All electrical work should be completed in accordance with the latest IET regulations, and/or any other relevant rules, regulations or laws of the country in which it is being installed.
- The item must be installed in isolation from any insulating material and is adequately ventilated to prevent premature failure.
- Ensure power supply is isolated prior to installation, maintenance or performing any other form of electrical work.
- The company MUST be contacted immediately for advice or swift resolution of any matters concerning any of ALL LED's products.

Technical Specifications

Product Code	ADRCC30D/300-900MA
Operating Voltage	220-240VAC
Operating Current (A max)	0.16A
Max Output Power	30W
Current / Output Power / Voltages	300mA, 2.7-17W, (9-58V DC)
	350mA, 3-20W, (9-58V DC)
	400mA, 3.6-23W, (9-58V DC)
	450mA, 4-26W, (9-58V DC)
	500mA, 4.5-29W, (9-58V DC)
	550mA, 5-30W, (9-55V DC)
	600mA, 5.4-30W, (9-50V DC)
	650mA, 5.8-30W, (9-46V DC)
	700mA, 6.3-30W, (9-42V DC)
	750mA, 6.7-30W, (9-40V DC)
800mA, 7.2-30W, (9-38V DC)	
850mA, 7.6-30W, (9-35V DC)	
900mA, 8.1-30W, (9-34V DC)	
Output Voltage (Max)	68V DC
PF	0.95
Efficiency %	82
No Load Power (W)	<0.5W
Dimming %	2%-100%
Class	II
Body Material	Polycarbonate
Switching cycles	100,000
Frame Colour	White
Ingress Protection	IP20
Ambient Operating Temperature (°C)	-25°C ~ +50°C
Input Frequency (Hz)	50/60Hz
Guarantee	5 Years
Dimmable	PUSH DIM, (0) 1-10V, DALI
Life Time	50,000H

Environmental Protection
Waste electrical products should
not be disposed of with household
waste. Please recycle where
facilities exist. Check with your
Local Authority or retailer for
recycling advice



Installation Instructions



Warning: Before using the driver please make sure that the current is set correctly

CONNECTION

- Set the output current. Using the DIP switches (Fig F) allows for the correct current to be configured
- To connect the luminaires to the driver follow the wiring diagrams (Fig A, B or C)

PUSH DIMMING (Fig A)

- To turn on/off: Short press the switch (up to 1 second)
- Stepless dimming: Long press the switch (1 to 8 seconds)

DALI DIMMING (Fig B)

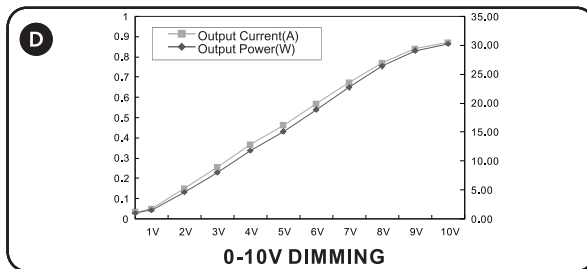
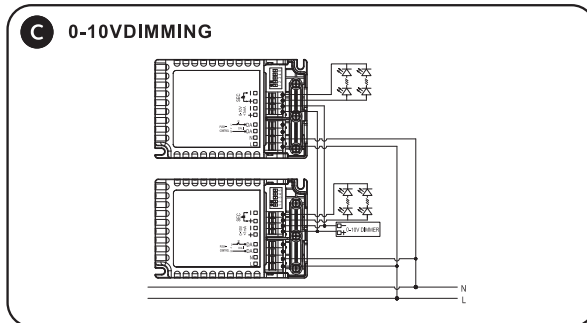
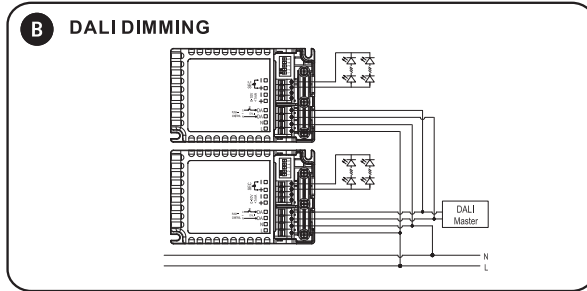
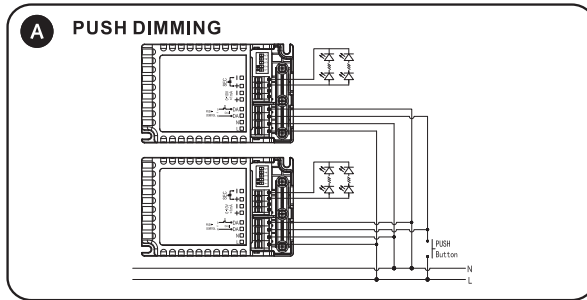
- The DALI interface is built in to the driver, allowing DALI Dimming to always be active

0-10V DIMMING (Fig C)

- The driver supports the use of any 0-10V dimmer. Figure D shows the 0-10V dimming curve
- DALI and Push dimming are always active. If DALI and/or Push dimming are used in the first instance users must turn on the driver for at least 15 seconds allowing the 0-10V interface to become active before using this function

FACTORY SETTING

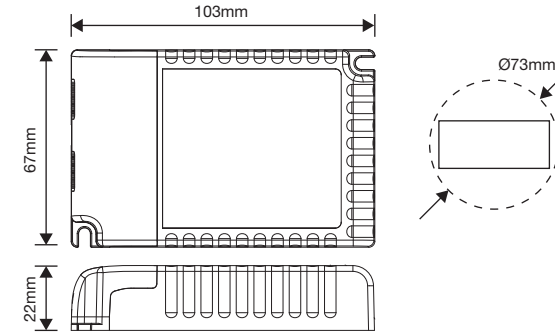
- 0-10V dimming



Output Current/Voltage Setting				
	1	2	3	4
300mA	-	-	-	-
350mA	ON	-	-	-
400mA	-	ON	-	-
450mA	ON	ON	-	-
500mA	-	-	ON	-
550mA	ON	-	ON	-
600mA	-	ON	ON	-
650mA	ON	ON	ON	-
700mA	ON	ON	-	ON
750mA	-	-	ON	ON
800mA	ON	-	ON	ON
850mA	-	ON	ON	ON
900mA	ON	ON	ON	ON

ON

Dimensions



Troubleshooting Guide

PROBLEM	CAUSE(S)	SOLUTION(S)
No Light Output From LEDs	No power to drive components	A qualified installer/electrician should check the primary voltage side of the product to check the input voltage.
	Loose connection on primary side.	Ensure continuous and correct connection between terminals.
	Loose connection on secondary side.	Ensure continuous and correct connection between terminals. Ensure the polarity is correct.
	No output from the driver.	Driver may be faulty and require replacement. Please order a replacement via your local outlet. Product codes are listed on the specification table on the first page.
	Overtoltage may have caused damage to the sensitive LED components.	These cases are rare and the item may need replacement and/or investigation as to the cause of failure.
LEDs Flashing	Unstable or incorrect input voltage.	Please only use a stable voltage supply as stipulated earlier for this product. Failure to do so will void the warranty.
	LED driver may be connected to a dimmer switch	Please remove the dimmer switch. Use of this product on a dimmer will void the warranty. This product is supplied non-dimmable as standard.
	Loose connection on primary side.	Ensure continuous and correct connection between the terminals.
	Loose connection on secondary side.	Ensure continuous and correct connection between terminals. Ensure the polarity is correct.
	Wattage overload	Too much power is trying to be drawn from the item. Flashing indicates the overload protection is actively working to prevent any damage to the item. Reduce the load on the DC side of the item.



ATTENTION

IF ANY PROBLEMS PERSIST, PLEASE CALL THE ALL LED TECHNICAL DEPARTMENT FOR FURTHER ASSISTANCE.